



# TOTO

## TECHNICAL DATA SHEET

# AL-OMRAN Trading Co.

Riyadh – Saudi Arabia  
Website: [alomrantrd.com](http://alomrantrd.com)

Tel: 0593851408  
WhatsApp: 0595333434  
Email: [project@alomran.sa](mailto:project@alomran.sa)

DIGITAL CATALOGUE  
SCAN HERE



### PRODUCT DETAILS

<b>Type</b>	Bath/Shower Mixer
<b>Item Code</b>	TBV02404B
<b>Range</b>	Wall-Mount Thermostatic Mixer
<b>Material</b>	Plate Material : Stainless Steel Valve Material: Brass
<b>Colour</b>	Chrome

### Technical Details and Description :

TOTO - Thermostat Controller with Diverter (Square)

• Size : 130W x 85D x 130H mm

### ENVIRONMENTAL & TECHNICAL DATA

<b>Flow Rate</b>	0.05MPa(Dynamic Pressure)~1.0MPa(Static Pressure)
------------------	---

**Flow Chart :** Not Applicable

- Elegant appearance.
- Beautiful curves reveal elegant taste.
- Easy installation and usage.

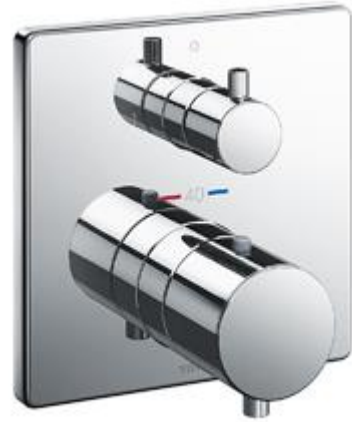
❖ **Need TBN01001B  
( Concealed Box )**

### CERTIFICATION / STANDARDS

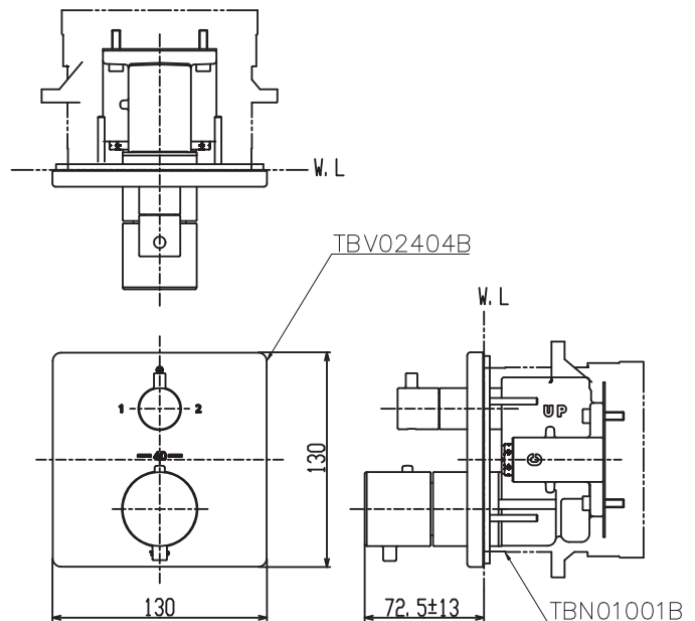
<b>Warranty</b>	1 Year
<b>Standards</b>	TOTO Industrial Standards( JIS )

### REMARKS

### IMAGE



### TECHNICAL DRAWING



**NOTE :** This ( TBV02404B ) MAIN PRODUCT CODE not change - only will be change MAIN PRODUCT CODE end of Letter's Every Year as per SASO request

### COMPONENTS



# TOTO

## TECHNICAL DATA SHEET

# AL-OMRAN Trading Co.

Riyadh – Saudi Arabia  
Website: [alomrantrd.com](http://alomrantrd.com)

Tel: 0593851408  
WhatsApp: 0595333434  
Email: [project@alomran.sa](mailto:project@alomran.sa)

DIGITAL CATALOGUE  
SCAN HERE



### PRODUCT DETAILS

Type	Mini Unit
Item Code	TBN01001B
Range	Concealed Box
Material	ABS PLASTIC
Colour	Chrome

### Technical Details and Description :

TOTO – MINI UNIT

### ENVIRONMENTAL & TECHNICAL DATA

Flow Rate 0.05 ~ 1.0 Mpa

Flow Chart : Not Applicable

- Easy installation and usage.

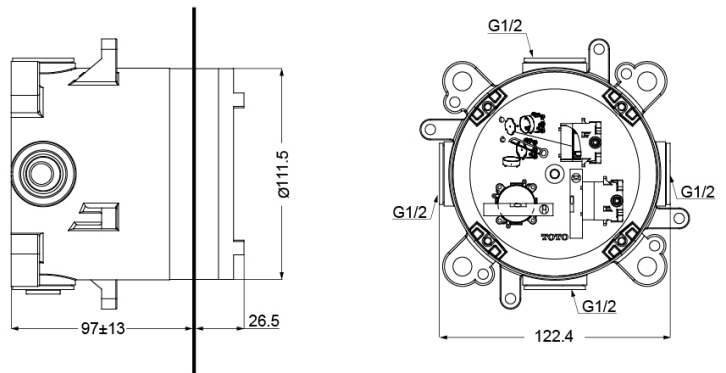


Mini Unit

### IMAGE



### TECHNICAL DRAWING



### CERTIFICATION / STANDARDS

Warranty 1 Year

Standards TOTO Industrial Standards( JIS )

**NOTE :** This ( TBV01001B ) MAIN PRODUCT CODE not change - only will be change MAIN PRODUCT CODE end of Letter's Every Year as per SASO request

### REMARKS

### COMPONENTS